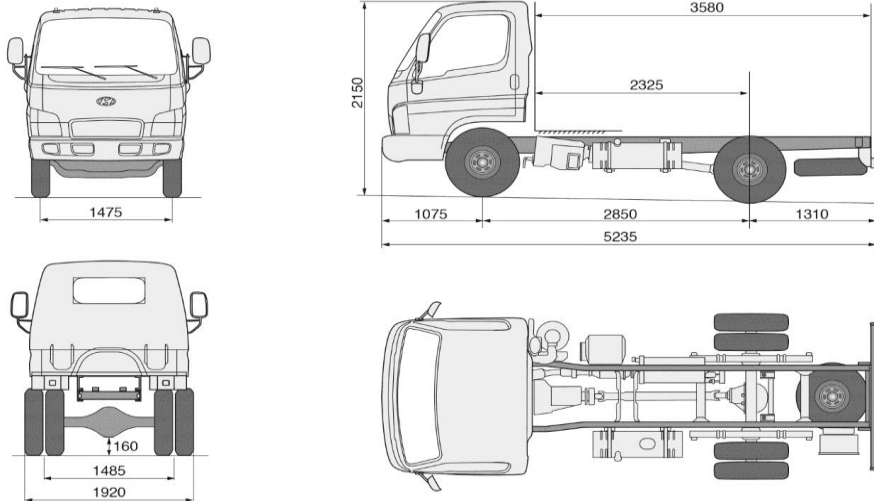


# HD35 Cargo Narrow Short Wheelbase

HYUNDAI HD Series

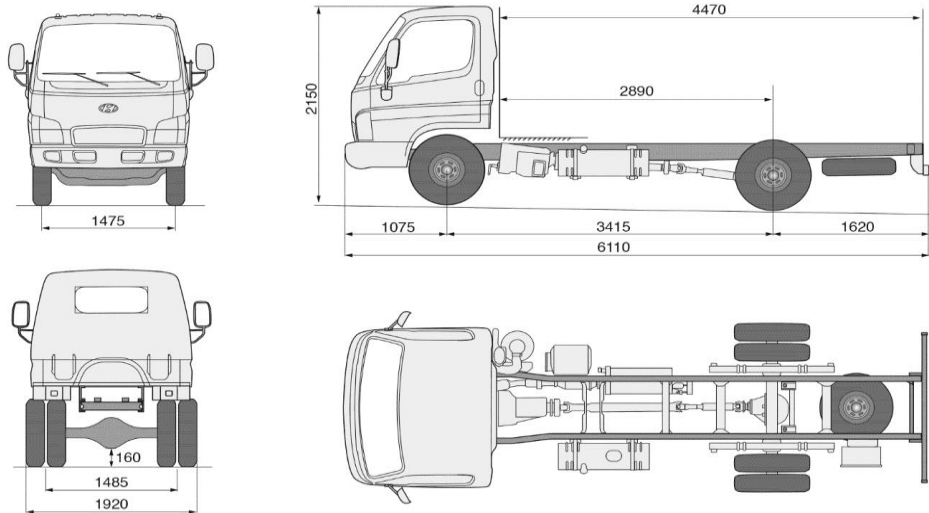


Cab	Width	Narrow
	Length	Standard
	Height	High
Wheel Base		Short
Drive System		4 X 2
Application Engines		<b>D4CB</b>
<b>Dimensions (mm)</b>		
Wheel Base		2,850
Overall (Chassis Cab)	Length	5,235
	Width	1,920
	Height	2,150
Wheel Tread	Front	1,475
	Rear	1,485
Overhang (Chassis Cab)	Front	1,075
	Rear	1,310
C.A (Cab to rear Axle)		2,325
C.E (Cab to end of frame)		3,580
Min. Ground Clearance		160
Min. Turning Radius	m	5.4
<b>Weight (kg)</b>		
Chassis Cab Weight		1,970
	Front	1,280
	Rear	690
** Max Gross Vehicle Weight		3,500
	Front	1,680
	Rear	1,820

\*\* Max. GVW includes the front & rear axle loads based on the permissible tire load.

# HD35 Cargo Narrow Long Wheelbase

HYUNDAI HD Series



Cab	Width	Narrow
	Length	Standard
	Height	High
Wheel Base		Long
Drive System		4 X 2
Application Engines		<b>D4CB</b>

## Dimensions (mm)

Wheel Base		3,415
Overall (Chassis Cab)	Length	6,110
	Width	1,920
	Height	2,150
Wheel Tread	Front	1,475
	Rear	1,485
Overhang (Chassis Cab)	Front	1,075
	Rear	1,620
C.A (Cab to rear Axle)		2,875
C.E (Cab to end of frame)		4,455
Min. Ground Clearance		160
Min. Turning Radius	m	6.4

## Weight (kg)

Chassis Cab Weight		2,040
	Front	1,325
	Rear	715
** Max Gross Vehicle Weight		3,500
	Front	1,740
	Rear	1,760

\*\* Max. GVW includes the front & rear axle loads based on the permissible tire load.

**Chassis Specifications**  
**Engine**

Model	<b>D4CB</b>	
Type	Turbo Charger Intercooler 4 stroke-cycle, water-cooled, direct-injection diesel engine	
number of Cylinder	4 in-line	
Piston Displacement (cc)	2,497	
Bore x Stroke (mm)	Ø91 x 96	
Compression Ratio	17.7 : 1	
Max. Power (ps/rpm)	EURO V	136 / 3,800
Max. Torque (kg.m/rpm)	EURO V	30 / 1,500 ~ 3,000
	Injection System	Common Rail System
Fuel Metering System	Governor	Electrical Type by ECU
	Fuel Filter	Spin-on type
	System	Water-Cooling, Forced circulation by centrifugal water pump
Cooling System	Cooling Fan	Auto Clutched Type
	Radiator	Corrugated fin and tube type with pressure cap and condenser tank
	System	Forced Lubrication Oil by gear pump
Lubrication System	Oil Filter	Full flow filter with paper element
	Oil Cooler	Shell & Plate
	Oil Grade	CI-4 or above (API Classification)
	Battery	12V-100AH MF
Electrical System	Alternator	12V - 90A
	Starter	12V-2.2kW
Timing System	Double OverHead Cam, 4 Valves per Cylinder	

**Clutch**

Type	Hydraulic control, Diaphragm spring, Single dry plate, Pre-Damper
Facing Material	Non-Asbestos
Facing Size (mm) : Outside dia. x Inside dia.	Ø275 x Ø150

**Transmission**

Model	<b>M355</b>	
Type	Floor Shift, 5 Speed Manual	
	1st	5.181
	2nd	2.865
	3rd	1.593
Gear Ratio	4th	1.000
	5th	0.739
	6th	-
	Reverse	5.181
Gear Oil	SAE75W/85	
T.G.S. (Transmission Gear Shift)	Floor shift, Mechanical remote control	

**Rear Axle**

Type		Full floating type
Capacity	kg	4,100
Final Reduction Gear	Type	Single Reduction, Hypoid gear
	G/Ratio	4.333

**Front Axle**

Type		Reverse Elliot type " 1 " beam
Capacity	kg	2,300

**Tire & Wheel**

Type		Single Front, Dual Rear
Tire	Front/ Rear	205/65R16 - 8PR
Wheel	Front/ Rear	16 x 5.5K-116.5

**Steering**

Type		2-Spoke, Ball-nut type, Tilt & Telescopic steering column
Tilting Angle		55.5°~ 62.2°
Turning Angle	Inner	38°
	Outer	28.5°

**Service Brake**

Actuation		Hydraulic with vacuum servo assistance, dual circuit
Size (mm)	Front/ Rear	Disc 304
Adjuster		Auto adjuster

**Parking Brake**

Actuation		Internal expanding type on propellarshaft at the rear of transmission assy
Size (mm)		Drum diameter x Lining width x Lining thickness : Ø180 x 35 x 5

**Auxiliary Brake**

Exhaust Brake		∅
---------------	--	---

**Suspension**

Type	Front / Rear	Semi-elliptic, laminated leaf springs with front/rear shock absorber
Shock absorber		Hydraulic double acting telescopic type on the front & rear axle

**Exhaust system**

Type

Tail pipe

Droptail type, blowing to chassis rearward

**Fuel tank**

Capacity (Liter)

65

Material

Steel

**Frame**

Type

"H" type frame with channel sectional side rail & cross members, side rail is reinforced with outer stiffeners

Main section side rail dimension (mm)

Depth x Flange x Thickness : 183 x 60 x 6t

**Annotations**

- 1) Empty vehicle weight and curb weight shown are to 3.5% variation to allow for production tolerance.
- 2) Empty vehicle weight includes weight of oil, fuel, coolant and spare tire carrier & bracket, spare tire, 10% fuel of tank capacity but exclude standard tool set and driver.
- 3) The vehicle specifications may differ per country.
- 4) Hyundai motor company reserves the right to alter the specifications, equipment or options or discontinue the models at any time without prior notice.